

SRS TOP READY MP4

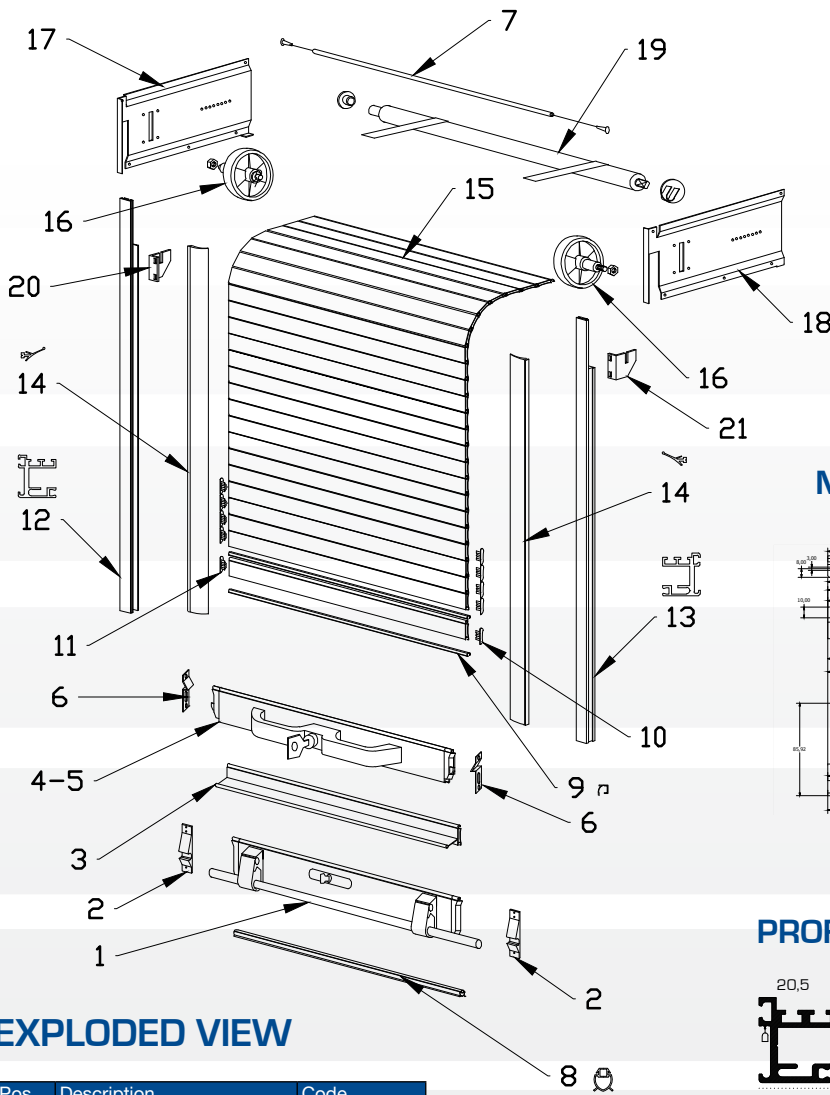
Only for H30 - H 38

The aluminium roller shutter mod. TOP is assembled with profiles H30 or H38, is realized with the required heights in extruded shapes and special characteristics and can be used for the main compartments, in substitution to troublesome leaf-doors. Usually the roller shutters are delivered silver anodized or RAL 7035 painted, or on demand painted in different RAL colours.

The roller shutter will be delivered in a single kit composed by:

- pre-assembled kit: 1 shutter, 1 roll,
- 2 plates, 2 groups of wheel
- 1 pair of vertical guides
- 1 box with accessories

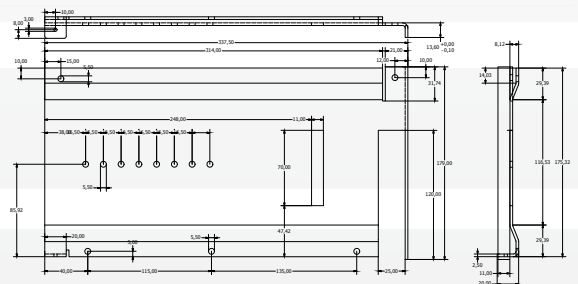
+ required optionals



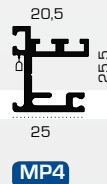
EXPLODED VIEW

| Pos. | Description | Code |
|------|--------------------------|-------------|
| 1 | barlock with key | 70180.00 |
| 2 | aglas (blocks) | 7006 |
| 3 | shutter's grasp profile | 70169.00 |
| 4 | closing with key | 7101 |
| 5 | closing without key | 7102 |
| 6 | aglas (block) | 7006 |
| 7 | connection | 70202.02.00 |
| 8 | little rubber leaf | 7008 |
| 9 | middle rubber | 7023 |
| 10 | sliding block right | 7010 |
| 11 | sliding block left | 7025 |
| 12 | left side guide | 70202.01.01 |
| 13 | right side guide | 70202.01.02 |
| 14 | rubber seal | 7026 |
| 15 | little shutter's profile | 7024 |
| 16 | group wheel | 7104 |
| 17 | left fixing plate | 70202.02.01 |
| 18 | right fixing plate | 70202.02.02 |
| 19 | rolls group with support | 70167.01 |
| 20 | reinforcement left | 70202.03.01 |
| 21 | reinforcement right | 70202.03.02 |

MOUNTING PLATE

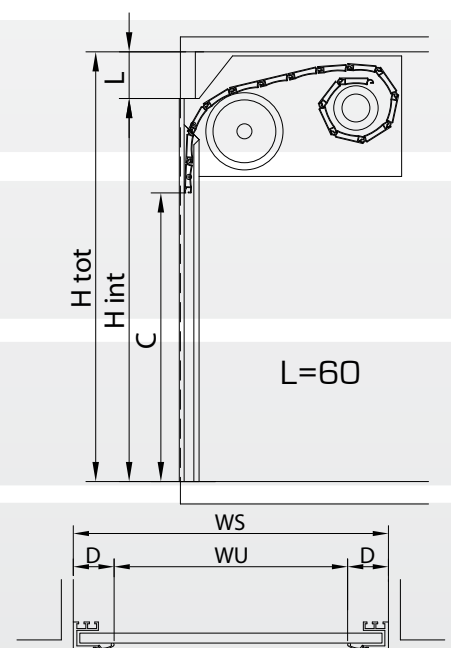


PROFILE



MEASUREMENTS

| Symbol | Description |
|--------|-----------------------|
| H tot | Total height |
| H int | Internal height |
| L | Sliding room |
| C | Light height |
| WU | Light width |
| WS | Total width |
| D | Guide and gasket edge |



SRS TOP READY MP5

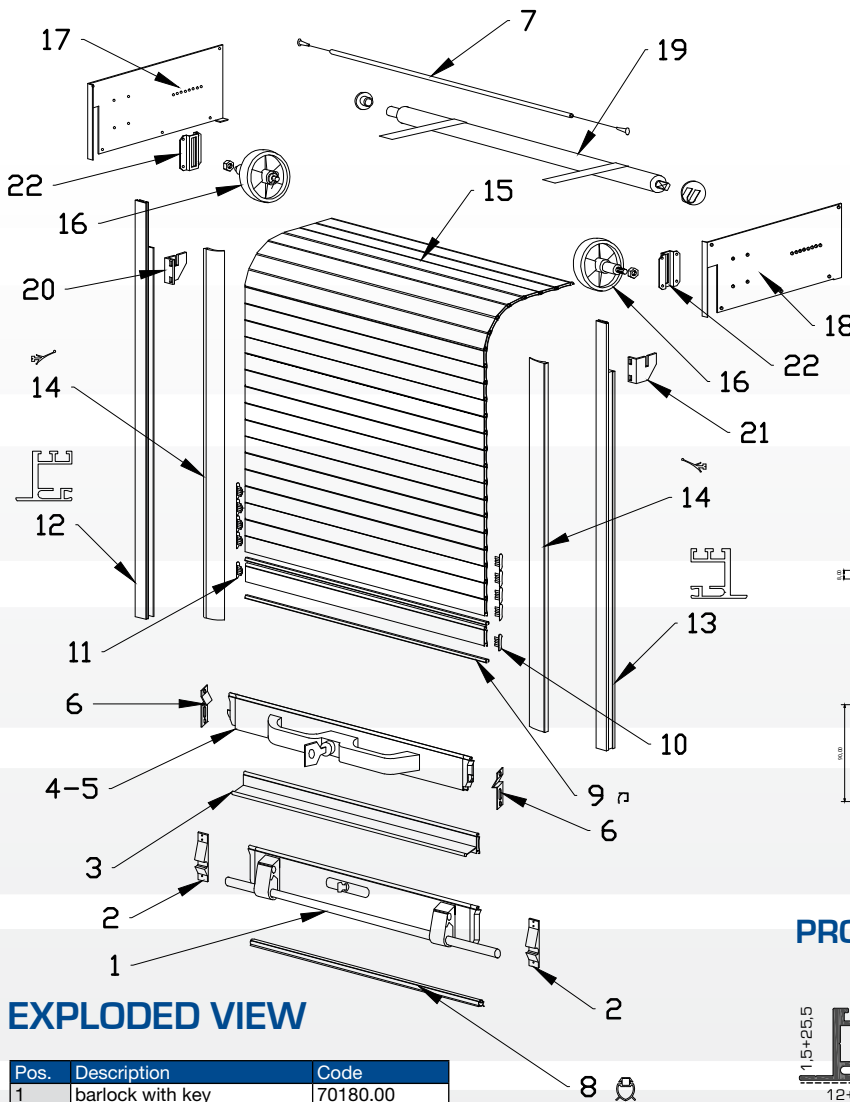
Only for H30 - H 38

The aluminium roller shutter mod. TOP is assembled with profiles H30 or H38, is realized with the required heights in extruded shapes and special characteristics and can be used for the main compartments, in substitution to troublesome leaf-doors. Usually the roller shutters are delivered silver anodized or RAL 7035 painted, or on demand painted in different RAL colours.

The roller shutter will be delivered in a single kit composed by:

- pre-assembled kit: 1 shutter, 1 roll,
- 2 plates, 2 groups of wheel
- 1 pair of vertical guides
- 1 box with accessories

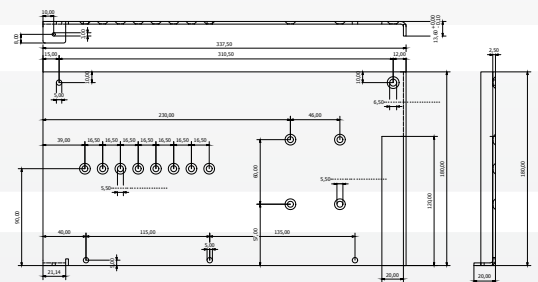
+ required optionals



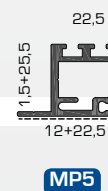
EXPLODED VIEW

| Pos. | Description | Code |
|------|--------------------------|-------------|
| 1 | barlock with key | 70180.00 |
| 2 | aglas (blocks) | 7006 |
| 3 | shutter's grasp profile | 70169.00 |
| 4 | closing with key | 7101 |
| 5 | closing without key | 7102 |
| 6 | aglas (block) | 7006 |
| 7 | connection | 70202.02.00 |
| 8 | little rubber leaf | 7008 |
| 9 | middle rubber | 7023 |
| 10 | sliding block right | 7010 |
| 11 | sliding block left | 7025 |
| 12 | left side guide | 70203.01.01 |
| 13 | right side guide | 70203.01.02 |
| 14 | rubber seal | 7026 |
| 15 | little shutter's profile | 7024 |
| 16 | group wheel | 7104 |
| 17 | left fixing plate | 70203.02.01 |
| 18 | right fixing plate | 70203.02.02 |
| 19 | rolls group with support | 70167.01 |
| 20 | reinforcement left | 70202.03.01 |
| 21 | reinforcement right | 70202.03.02 |
| 22 | spacer | 70203.03.00 |

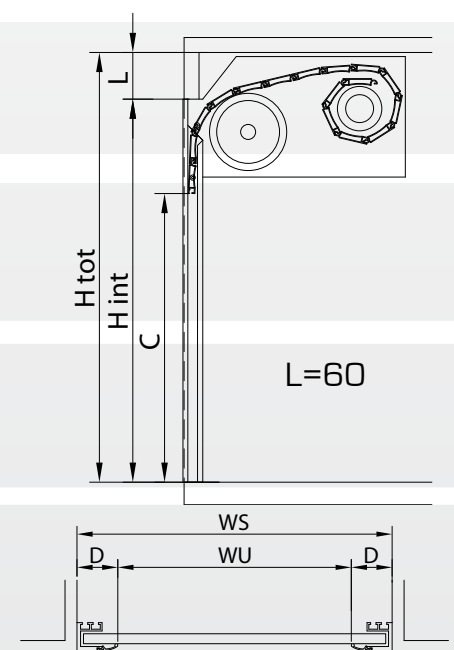
MOUNTING PLATE



PROFILE



| MEASUREMENTS | |
|--------------|-----------------------|
| H tot | Total height |
| H int | Internal height |
| L | Sliding room |
| C | Light height |
| WU | Light width |
| WS | Total width |
| D | Guide and gasket edge |



READY MP4 & READY MP5



MOUNTING INSTRUCTIONS SYSTEM "READY" (MP4 – MP5)

Refer to the video

1. Check that the measures inside the compartment are correct
2. Fix the lower profile (if supplied) with bi-adhesive already provided
3. Fix the upper cover profile (if supplied) with bi-adhesive already provided
4. Mount the reinforcing support brackets in the seats positioned on the rear guide
5. Join the guides on the plates in their seats inserting in the proper seats
6. Adjust and secure the reinforcing support brackets to the plates with the TPS screws
7. Slip on the whole kit with mounted guides holding it by the guides into the compartment of the roller shutter (operation to be done in 2 or more persons depending on the size of the roller shutter)
8. Position, drill and fasten the guides to the compartment
9. Check and adjust the exact height of the plate (front-rear)
10. Fix the plate and lock the reinforcing support brackets
11. If necessary, adjust the height of the wheels across the adjustable seat support
12. Drill and fix the locking
13. Grease the sliding lateral guides