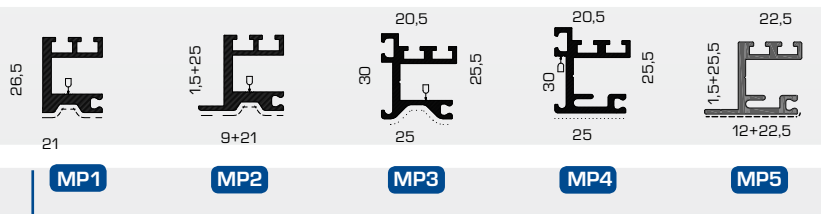


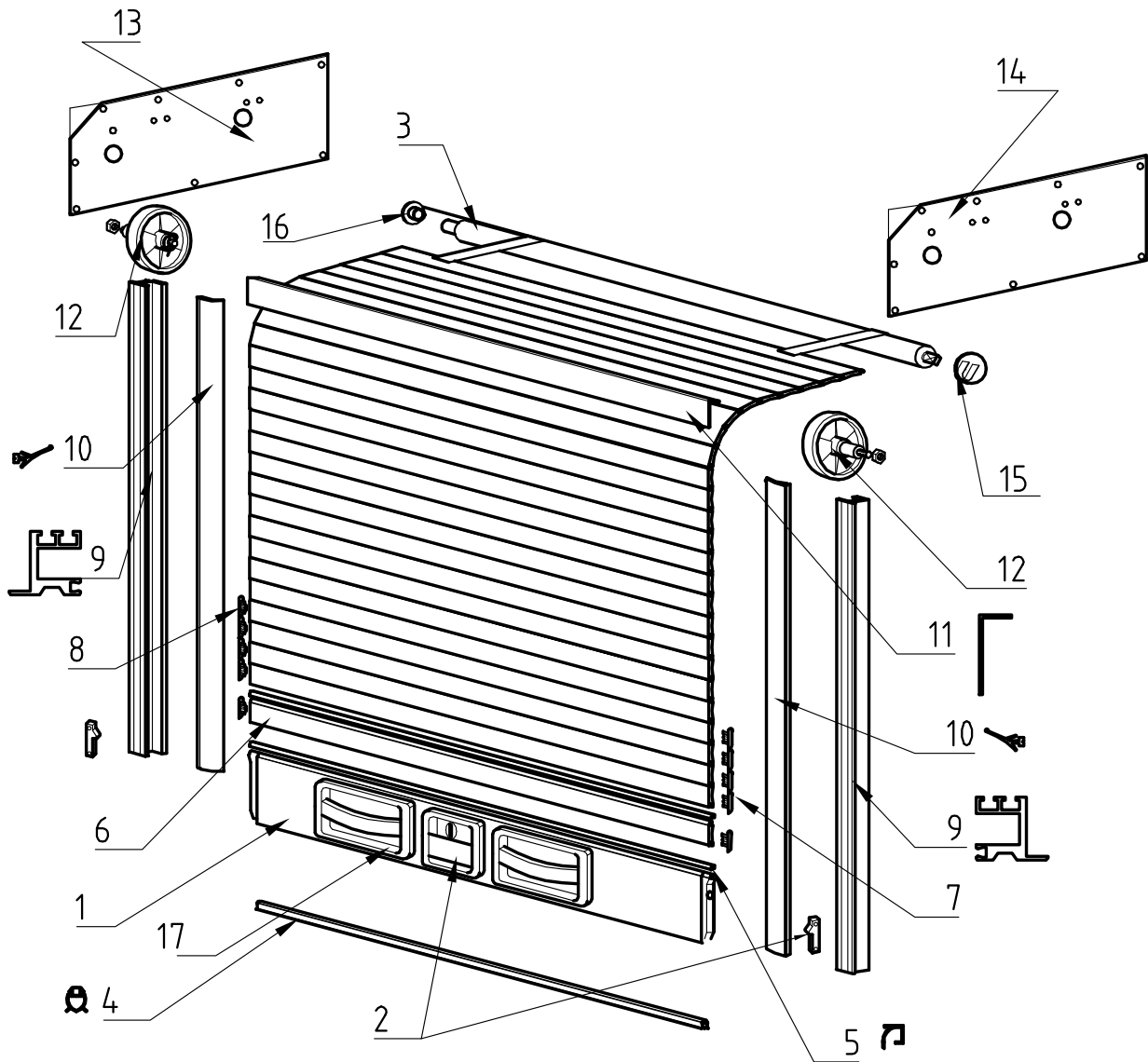
AVAILABLE MOUNTING PROFILES



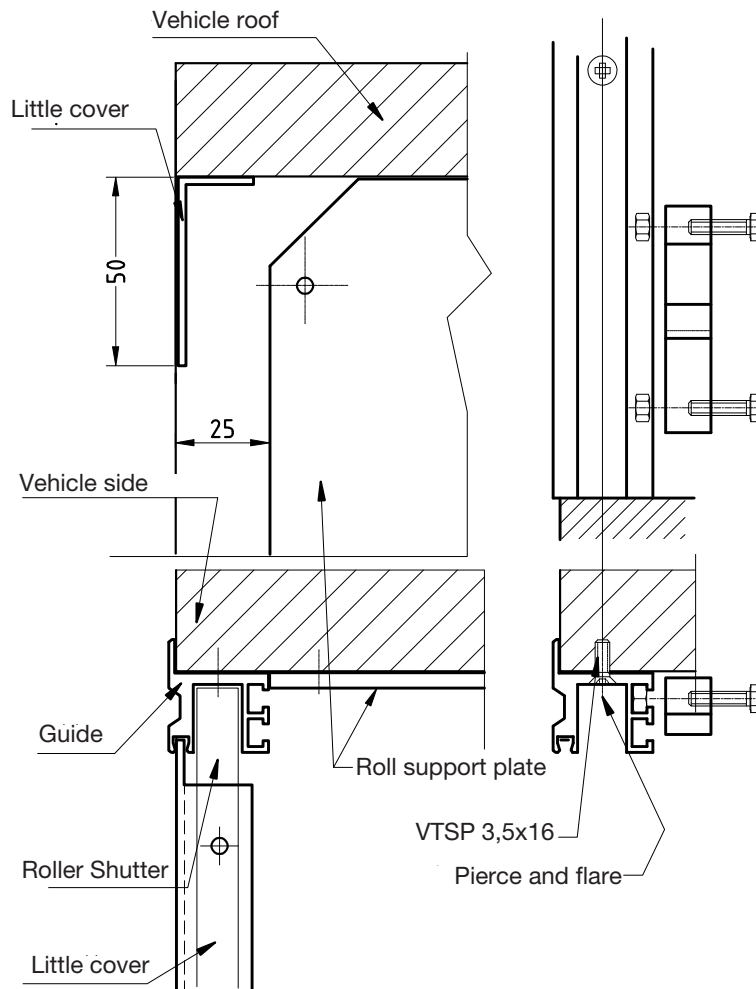
Only for H30 - H 38

MEASUREMENTS

H_{tot}	Total height
H_{int}	Internal height
L	Sliding room
C	Light height
WU	Light width
WS	Total width
D	Guide and gasket edge



Pos.	Description	Code
1	closing group	70139.01
2	stainless steel locking + 2 locks	70380.34
3	rolls group with supports	70139.03
4	lower rubber	7007
5	middle rubber	7023
6	shutter profile	7024
7	right sliding plate	7010
8	left sliding plate	7025
9	lateral guide	7003
10	sealing rubber	7026
11	cover	7027
12	wheel group	7104
13	left fixing plate	7028
14	right fixing plate	7029
15	roll seat	70017
16	pin with bearing	70018
17	handle	70139.04



1. Mount the lower profile
2. Place the guides
3. Mount the upper cover
4. Position the plates with the wheels and the roll holders (already mounted) in reference to the guides (see plan)
5. Fit the plates
6. Insert the roll into the holders in the correct position, like shown in the plan
7. Remove the guides
8. Insert the shutter into the opening from the front side (the shutter looks like shown in the spare parts plan)
9. Mount again the guides and fit them definitively
10. Fit the belts on the preset roll
11. Adjust the height of the lockings along the guides for a correct closing (use bolts M4)
12. Fit the gutter profile (if requested/supplied)

Please note: The supplied cover can be replaced by a built-in frame.

MEASURING

MEASUREMENTS	
H tot	Total height
H int	Internal height
L	Sliding room
C	Light height
WU	Light width
WS	Total width
D	Guide and gasket edge

