

# SRS ECO PLUS

The aluminium roller shutter mod. ECO PLUS is assembled with profiles H30 or H38, is realized with the required heights in extruded shapes and special characteristics and can be used for medium compartments, in substitution to troublesome leaf-doors. Usually the roller shutters are delivered silver anodized or RAL 7035 painted, or on demand painted in different RAL colours

## USEFUL AREA

Max. recommended area	1,5 m <sup>2</sup>
-----------------------	--------------------

The ECO PLUS shutters have a special wrapping roll Ø45, pre-set in accordance to the shutters dimensions and have special guides, as the ECO model. When open the shutter will lay flat horizontally under the roof and the eventual surplus length will lay vertically in the rear part.

This sliding system is recommended for areas of max. 1,5m2. Its characteristics are reliability, quality and design.

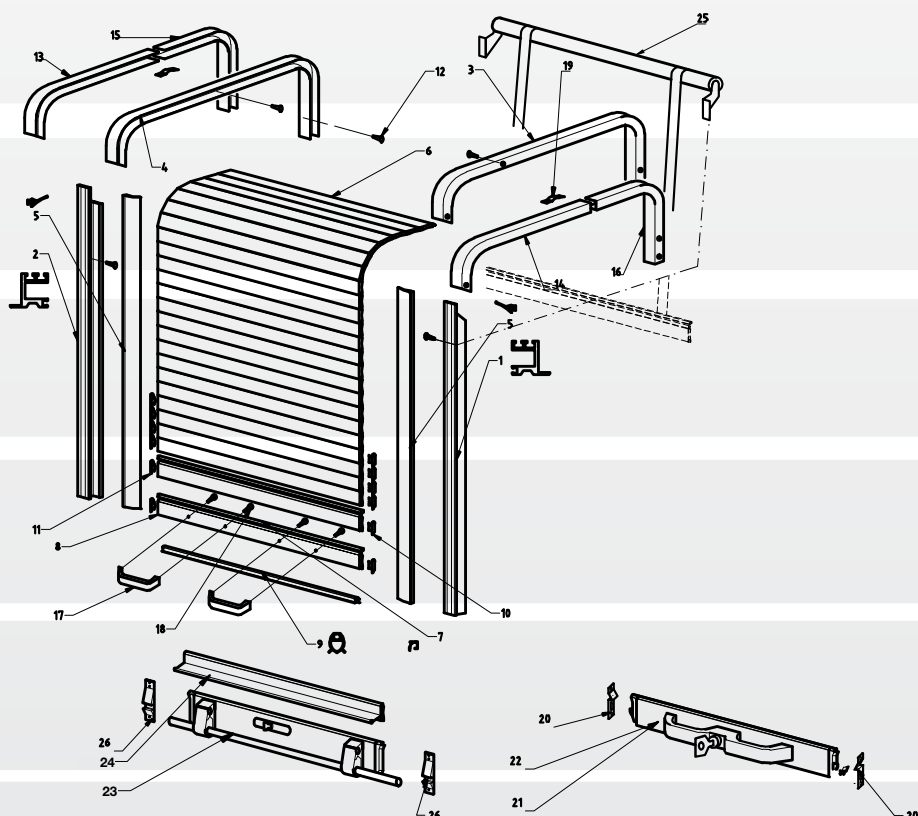
**The roller shutter will be delivered divided into parts, which can be easy assembled:**

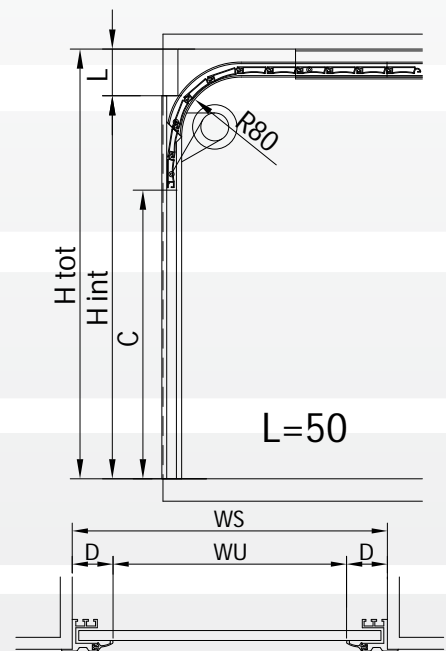
- 1 pre-assembled shutter complete with closing end with or without key
- 1 pair of vertical guides
- 2 pairs of curves (entire or separate)
- 2 eventual sliding extensions, to be put between the curves, when the curves are separate
- 1 box with accessories

**+ required optionals**

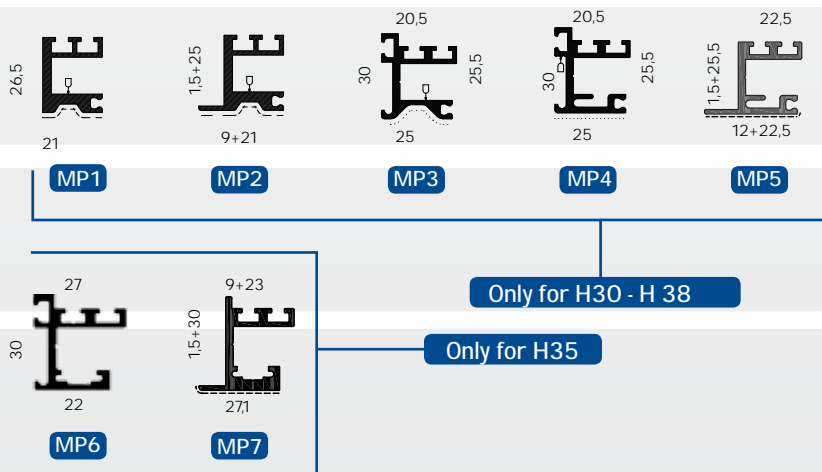
## EXPLODED VIEW

Pos.	Description	Code
1	right guide	70143.01
2	left guide	70143.02
3	right upper guide	70143.03
4	left upper guide	70143.04
5	side rubber profile	7026
6	shutter profile	7024
7	middle profile	7023
8	lower shutter profile	70143.08
9	lower rubber profile	7007
10	right sliding block	7010
11	left sliding block	7025
12	profiles fixing screws	70143.11
13	front left upper internal profile	70143.14
14	front right upper internal profile	70143.15
15	back left upper internal profile	70143.16
16	back right upper internal profile	70143.17
17	handles	70143.12
18	handle fixing screws	70143.13
19	stop spring	70143.18
20	locking	7006
21	closing group with key	7101
22	closing group without key	7102
23	barlock with key	70180.00
24	gripping profile	70169.00
25	roll group with supports	70167.01
26	locking	7006





## AVAILABLE MOUNTING PROFILES



MEASUREMENTS	
H tot	Total height
H int	Internal height
L	Sliding room
C	Light height
WU	Light width
WS	Total width
D	Guide and gasket edge

# SRS ECO PLUS

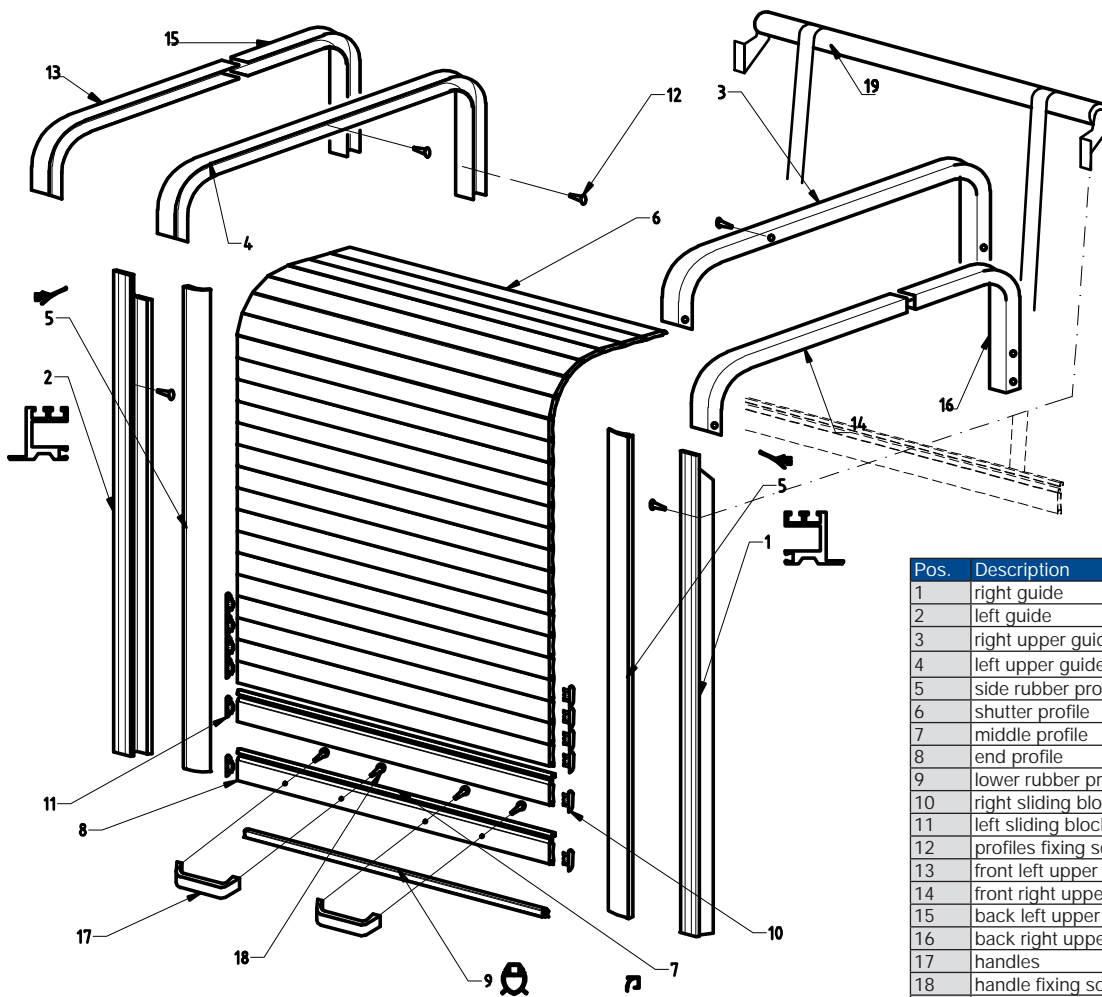
## ATTENTION: PRE-SET WRAPPING ROLL

In order to mount the roll, insert it into the proper supports, in the correct position, as indicated on the label on the roll itself. Fix the straps on the internal part of the last profile (profile with the rubber profile). Place the roll with the safety pin (covered with a protection paper) so that it is positioned under the roll. Remove the protection paper, so that the safety pin will stick out of the roll. Turn it manually in the loading direction and release it immediately. The loaded roll will wrap the straps and roll the shutter.

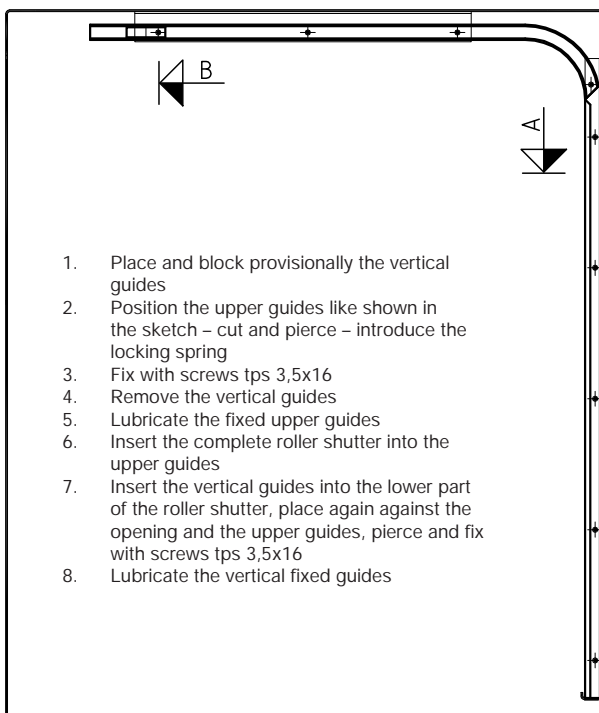
**DON'T REMOVE THE SAFETY PIN UNTIL THE COMPLETE ROLLER SHUTTER HAS BEEN MOUNTED.**

In case the roll gets unloaded before the mounting has been completed, load it again following the loading direction and number of turns indicated on the roll, block it and insert the safety pin. Repeat again all the previous points.

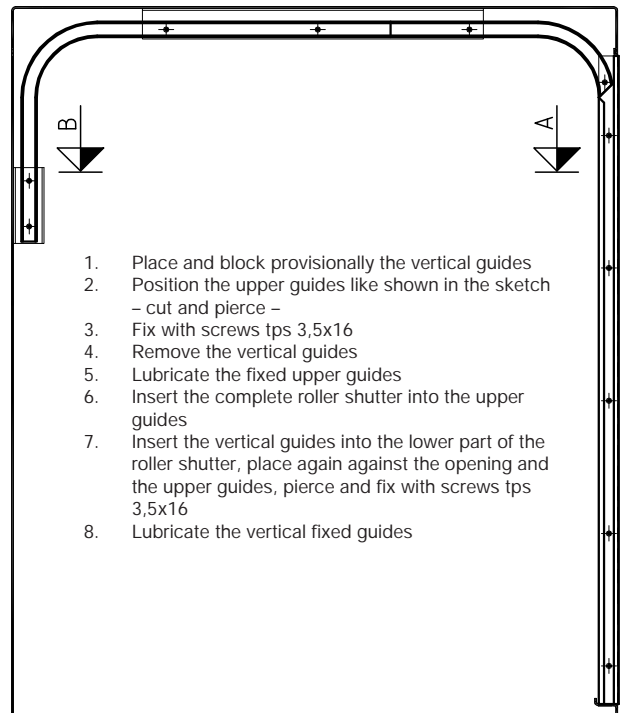




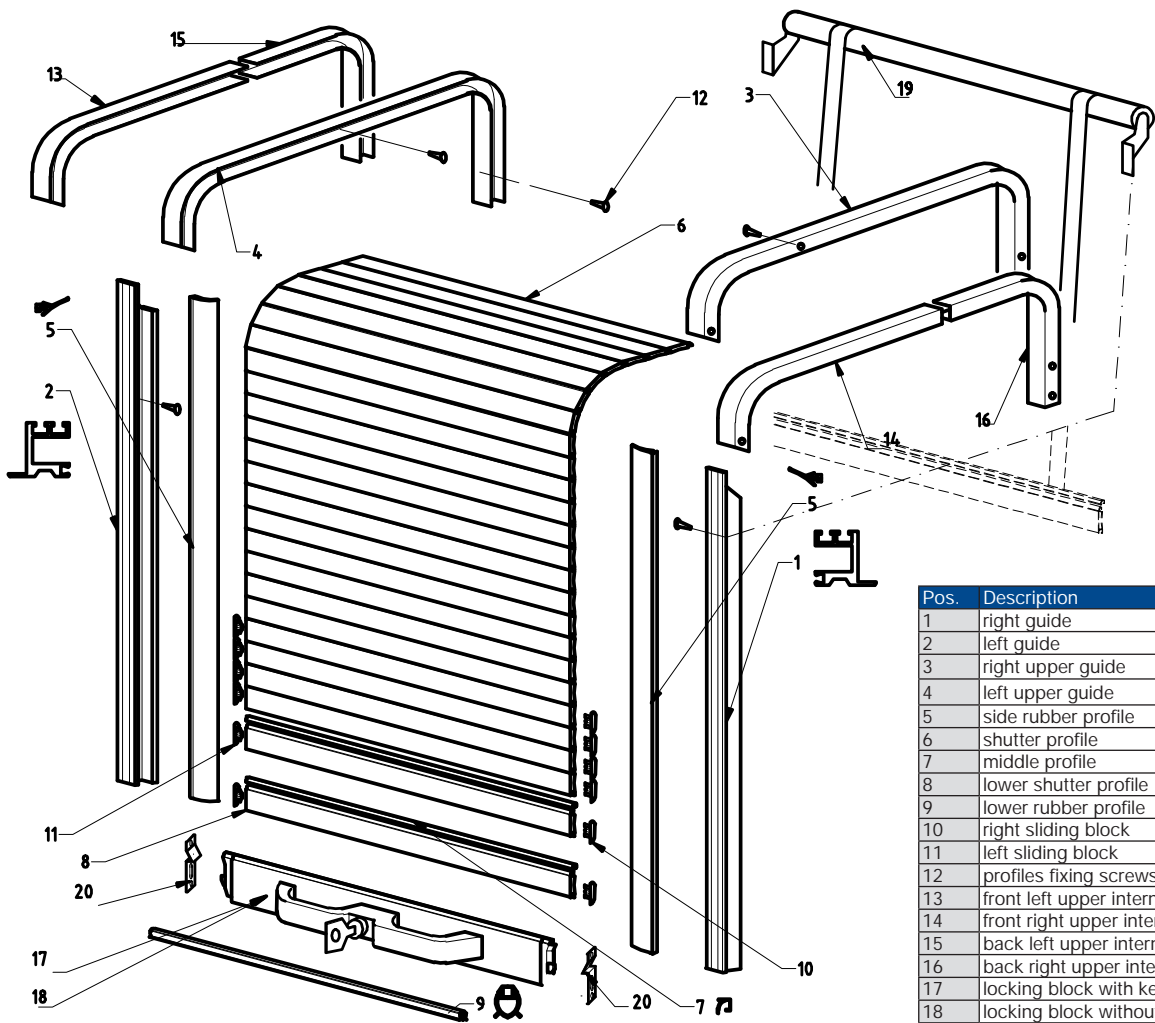
Pos.	Description	Code
1	right guide	70143.01
2	left guide	70143.02
3	right upper guide	70143.03
4	left upper guide	70143.04
5	side rubber profile	7026
6	shutter profile	7024
7	middle profile	7023
8	end profile	70143.08
9	lower rubber profile	7007
10	right sliding block	7010
11	left sliding block	7025
12	profiles fixing screws	70134.11
13	front left upper profile	70143.14
14	front right upper profile	70134.15
15	back left upper profile	70134.16
16	back right upper profile	70134.17
17	handles	70143.12
18	handle fixing screws	70143.12
19	roll group with supports	70167.01



1. Place and block provisionally the vertical guides
2. Position the upper guides like shown in the sketch – cut and pierce – introduce the locking spring
3. Fix with screws tps 3,5x16
4. Remove the vertical guides
5. Lubricate the fixed upper guides
6. Insert the complete roller shutter into the upper guides
7. Insert the vertical guides into the lower part of the roller shutter, place again against the opening and the upper guides, pierce and fix with screws tps 3,5x16
8. Lubricate the vertical fixed guides



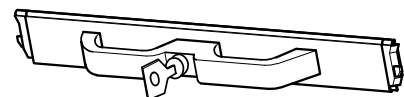
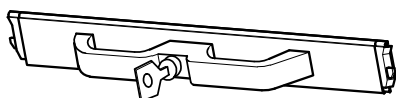
1. Place and block provisionally the vertical guides
2. Position the upper guides like shown in the sketch – cut and pierce –
3. Fix with screws tps 3,5x16
4. Remove the vertical guides
5. Lubricate the fixed upper guides
6. Insert the complete roller shutter into the upper guides
7. Insert the vertical guides into the lower part of the roller shutter, place again against the opening and the upper guides, pierce and fix with screws tps 3,5x16
8. Lubricate the vertical fixed guides

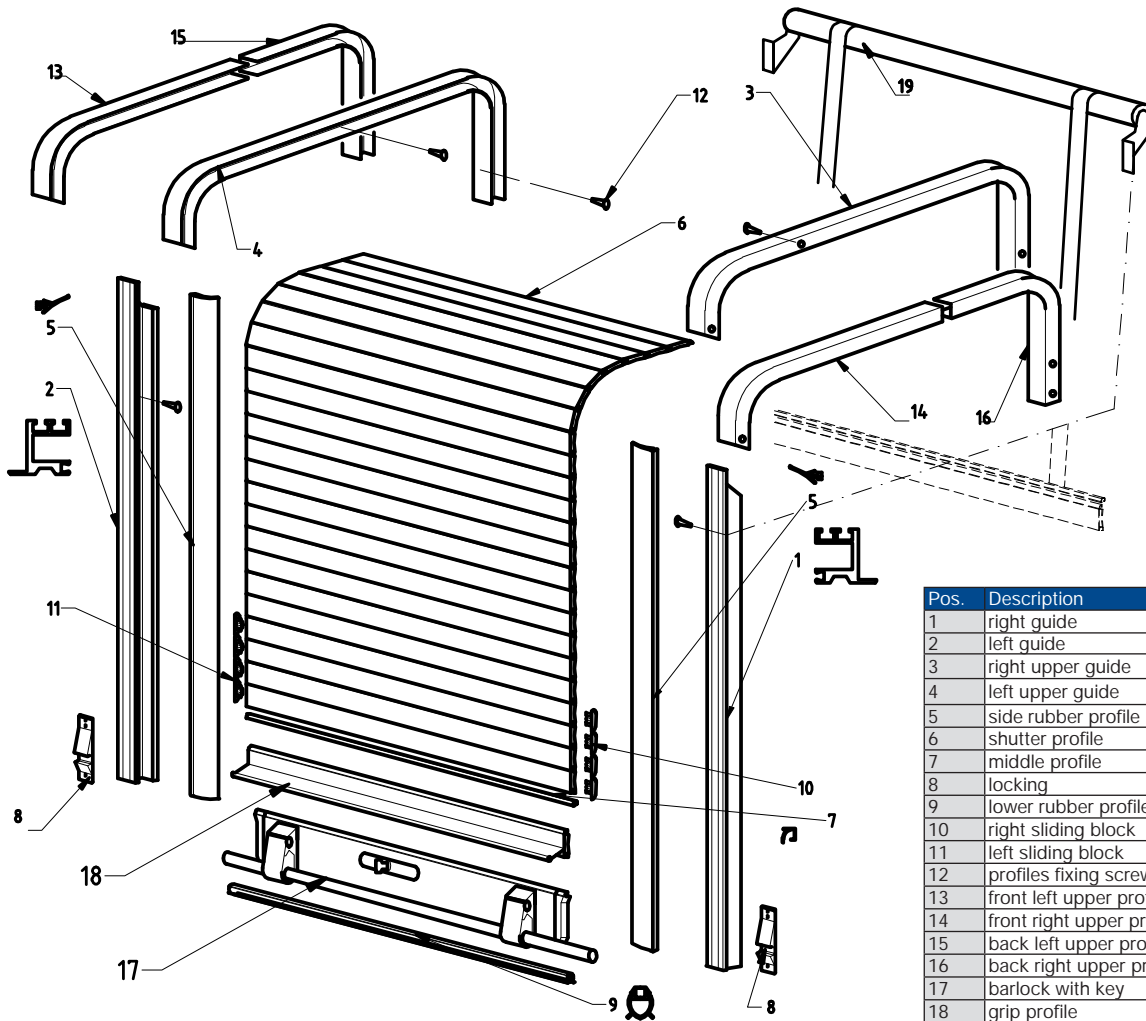


Pos.	Description	Code
1	right guide	70143.01
2	left guide	70143.02
3	right upper guide	70143.03
4	left upper guide	70143.04
5	side rubber profile	7026
6	shutter profile	7024
7	middle profile	7023
8	lower shutter profile	70143.08
9	lower rubber profile	7007
10	right sliding block	7010
11	left sliding block	7025
12	profiles fixing screws	70134.11
13	front left upper internal profile	70143.14
14	front right upper internal profile	70134.15
15	back left upper internal profile	70134.16
16	back right upper internal profile	70134.17
17	locking block with key	7101
18	locking block without key	7102
19	roll group with supports	70167.01
20	locking	7006

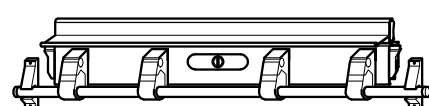
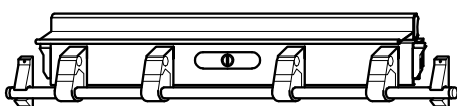
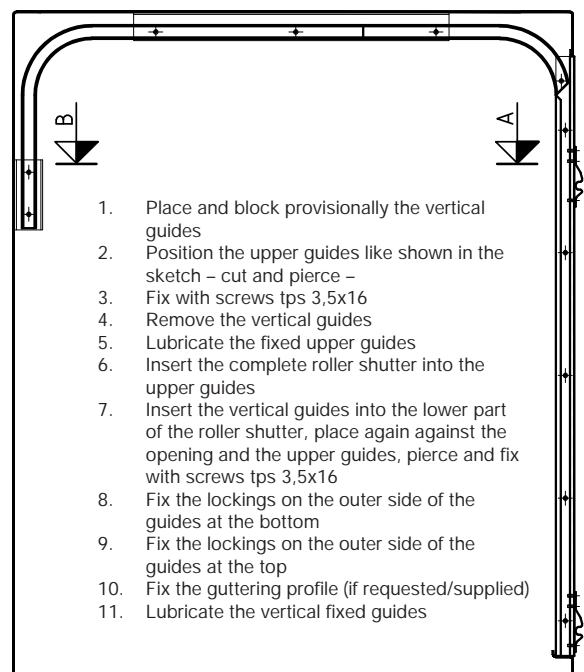
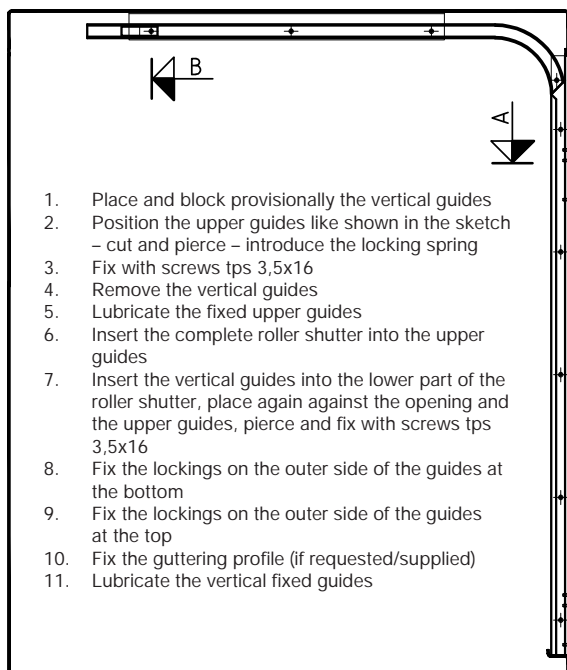
1. Place and block provisionally the vertical guides
2. Position the upper guides like shown in the sketch – cut and pierce - introduce the locking spring
3. Fix with screws tps 3,5x16
4. Remove the vertical guides
5. Lubricate the fixed upper guides
6. Insert the complete roller shutter into the upper guides
7. Insert the vertical guides into the lower part of the roller shutter, place again against the opening and the upper guides, pierce and fix with screws tps 3,5x16
8. Fix the lockings on the inner side of the guides at about 6cm from the lower profile (use the slots for the centering)
9. Fix the guttering profile (if requested/supplied)
10. Lubricate the vertical fixed guides

1. Place and block provisionally the vertical guides
2. Position the upper guides like shown in the sketch – cut and pierce
3. Fix with screws tps 3,5x16
4. Remove the vertical guides
5. Lubricate the fixed upper guides
6. Insert the complete roller shutter into the upper guides
7. Insert the vertical guides into the lower part of the roller shutter, place again against the opening and the upper guides, pierce and fix with screws tps 3,5x16
8. Fix the lockings on the inner side of the guides at about 6cm from the lower profile (use the slots for the centering)
9. Fix the guttering profile (if requested/supplied)
10. Lubricate the vertical fixed guides





Pos.	Description	Code
1	right guide	70143.01
2	left guide	70143.02
3	right upper guide	70143.03
4	left upper guide	70143.04
5	side rubber profile	7026
6	shutter profile	7024
7	middle profile	7023
8	locking	7006
9	lower rubber profile	7007
10	right sliding block	7010
11	left sliding block	7025
12	profiles fixing screws	70134.11
13	front left upper profile	70143.14
14	front right upper profile	70134.15
15	back left upper profile	70134.16
16	back right upper profile	70134.17
17	barlock with key	70180.00
18	grip profile	70169.00
19	roll group with supports	70167.01



# MEASURING

MEASUREMENTS	
H tot	Total height
H int	Internal height
L	Sliding room
C	Light height
WU	Light width
WS	Total width
D	Guide and gasket edge

