

SRS ECO

The aluminium roller shutter mod. ECO is assembled with profiles H30 or H38, is realized in the required heights in extruded shapes and special characteristics. The shutter can be used for little and medium compartments, in substitution to the troublesome leaf-doors. Usually the roller shutters are delivered silver anodized or RAL 7035 painted, or on demand painted in different RAL colours.

USEFUL AREA

Max. recommended area 1 m²

The sliding system of these shutters permits to make good use of the available space inside the vehicle. When open the shutter will lay flat horizontally under the roof and the eventual surplus length will lay vertically in the rear part.

This sliding system is recommended for areas of max. 1m2. It is a cheap and easy mounting solution, which anyway maintains the reliability and design standards of all SRS shutters.

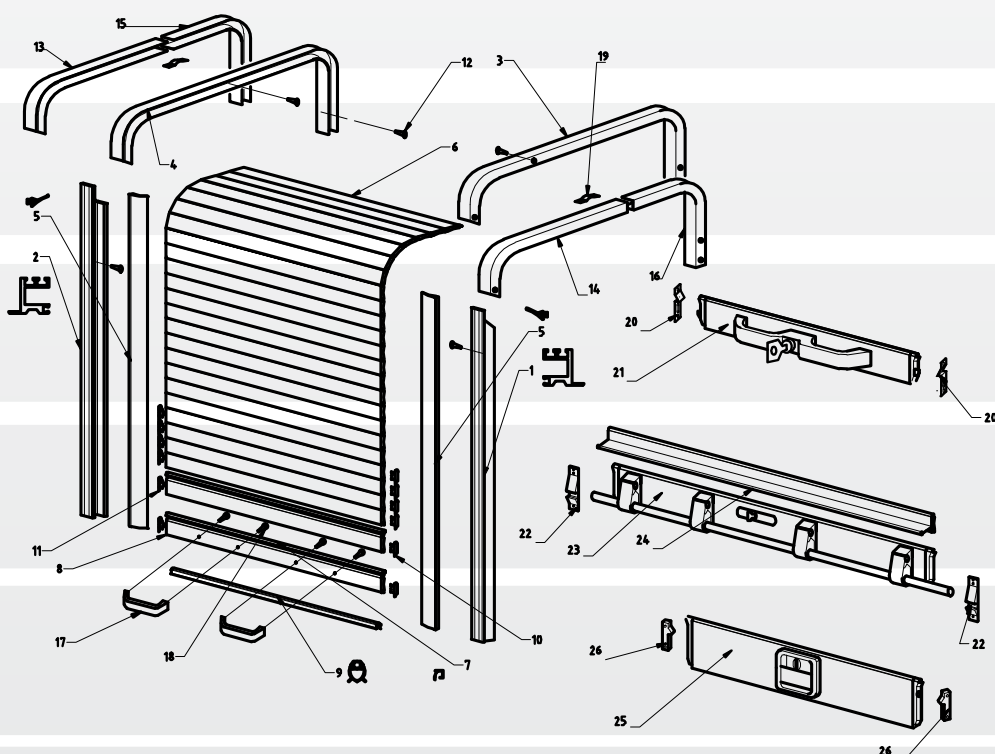
The roller shutter will be delivered divided into parts, which can be easily assembled:

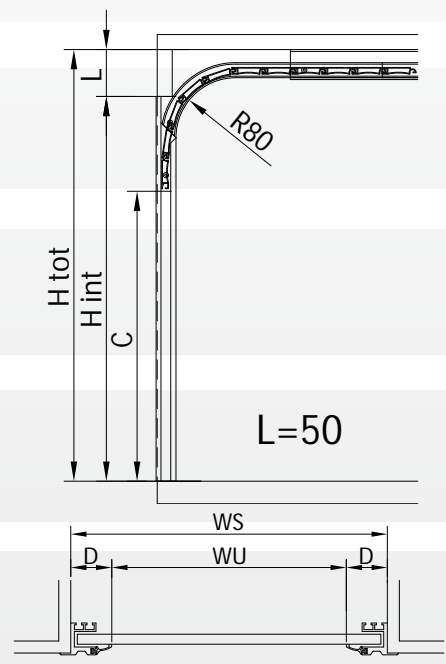
- 1 pre-assembled shutter complete with closing end with or without key
- 1 pair of vertical guides
- 2 pairs of curves (entire or separate)
- 2 eventual sliding extensions, to be put between the curves, when the curves are separate
- 1 box with accessories

+ required optionals

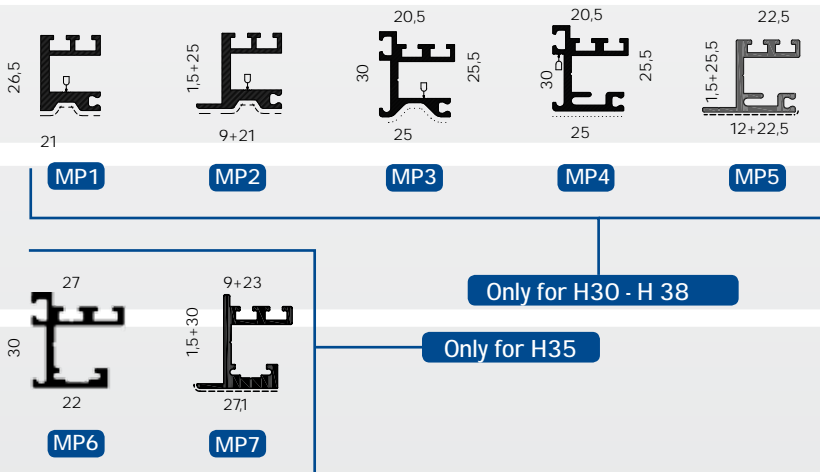
EXPLODED VIEW

Pos.	Description	Code
1	right guide	70143.01
2	left guide	70143.02
3	right upper guide	70143.03
4	left upper guide	70143.04
5	side rubber profile	7026
6	shutter profile	7024
7	middle profile	7023
8	lower shutter profile	70143.08
9	lower rubber profile	7007
10	right sliding block	7010
11	left sliding block	7025
12	profiles fixing screws	70143.11
13	front left upper internal profile	70143.14
14	front right upper internal profile	70143.15
15	back left upper internal profile	70143.16
16	back right upper internal profile	70143.17
17	handles	70143.12
18	handle fixing screws	70143.13
19	stop spring	70143.18
20	locking	7006
21	locking block with key	7101
21	locking block without key	7102
22	locking	70180.00
23	barlock with key	70169.00
24	grip profile	7101
25	locking block with key	7006
26	locking	

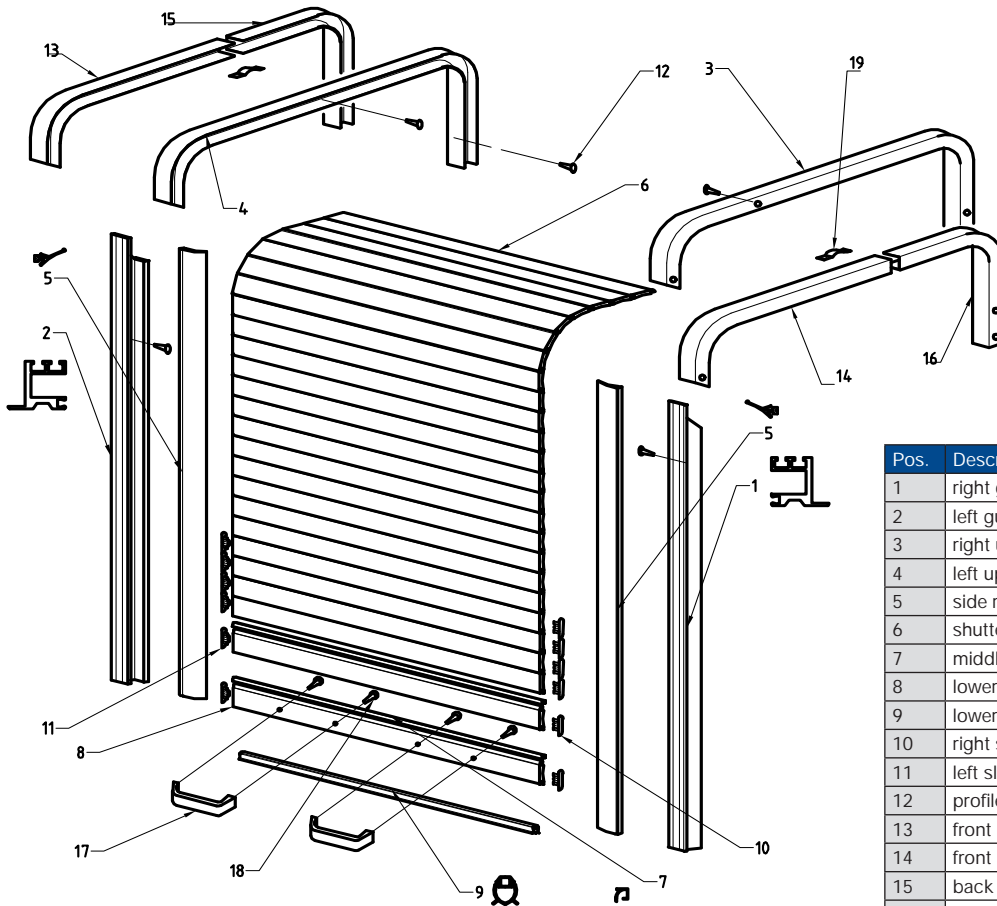




AVAILABLE MOUNTING PROFILES

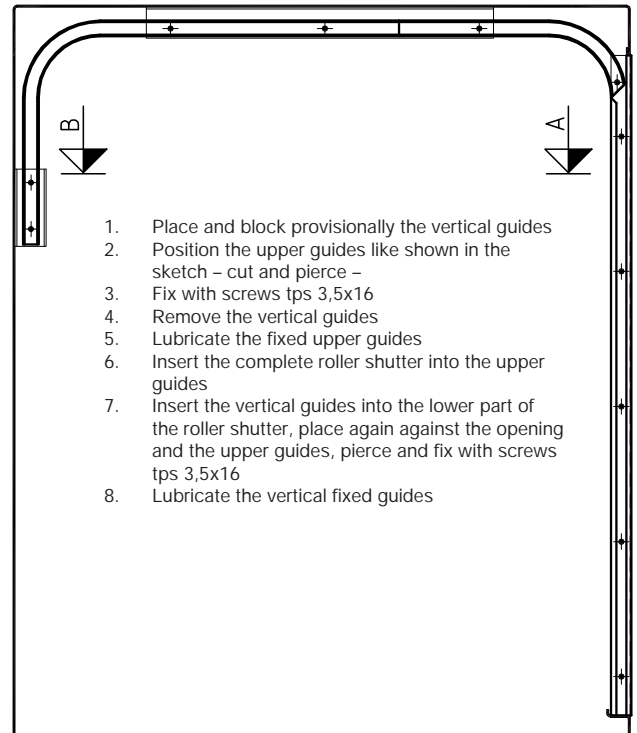
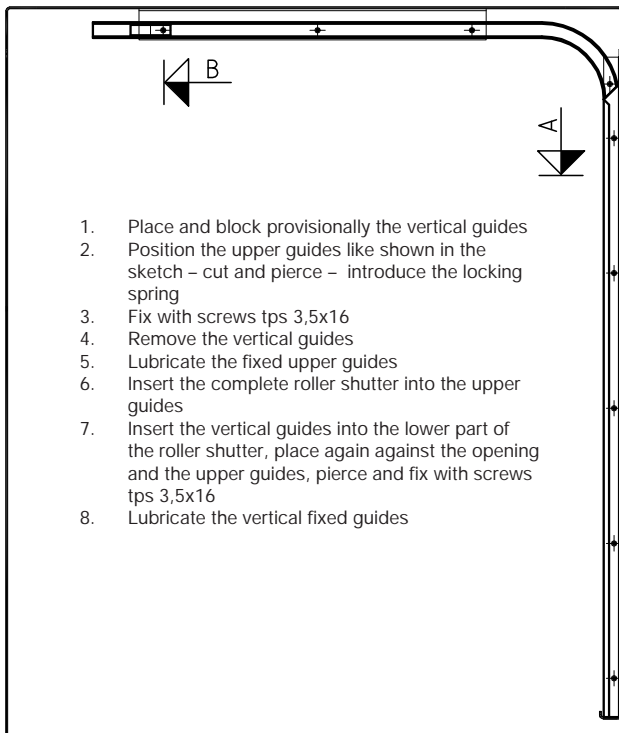


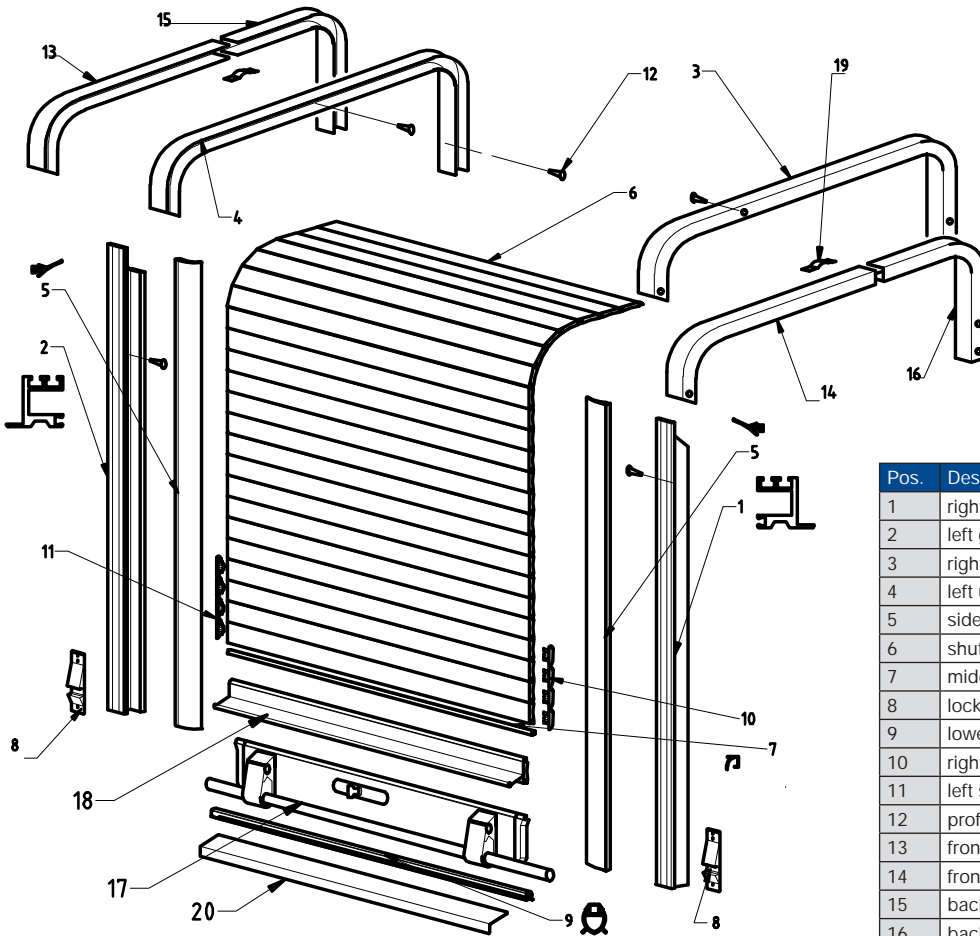
MEASUREMENTS	
H tot	Total height
H int	Internal height
L	Sliding room
C	Light height
WU	Light width
WS	Total width
D	Guide and gasket edge



Pos.	Description	Code
1	right guide	70143.01
2	left guide	70143.02
3	right upper guide	70143.03
4	left upper guide	70143.04
5	side rubber profile	7026
6	shutter profile	7024
7	middle profile	7023
8	lower shutter profile	70143.08
9	lower rubber profile	7007
10	right sliding block	7010
11	left sliding block	7025
12	profiles fixing screws	70134.11
13	front left upper profile	70143.14
14	front right upper profile	70143.15
15	back left upper profile	70143.16
16	back right upper profile	70143.17
17	handles	70143.12
18	handle fixing screws	70143.13
19	stop spring	70143.18

In case of pressure closing group with key, place the fixing plate in order that the hole is in correspondence with the key lock pin. If necessary the plate has to be cut accordingly.

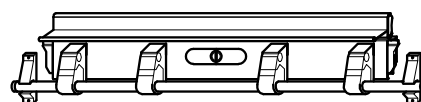
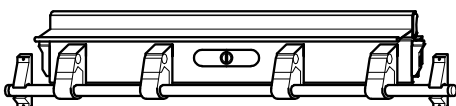


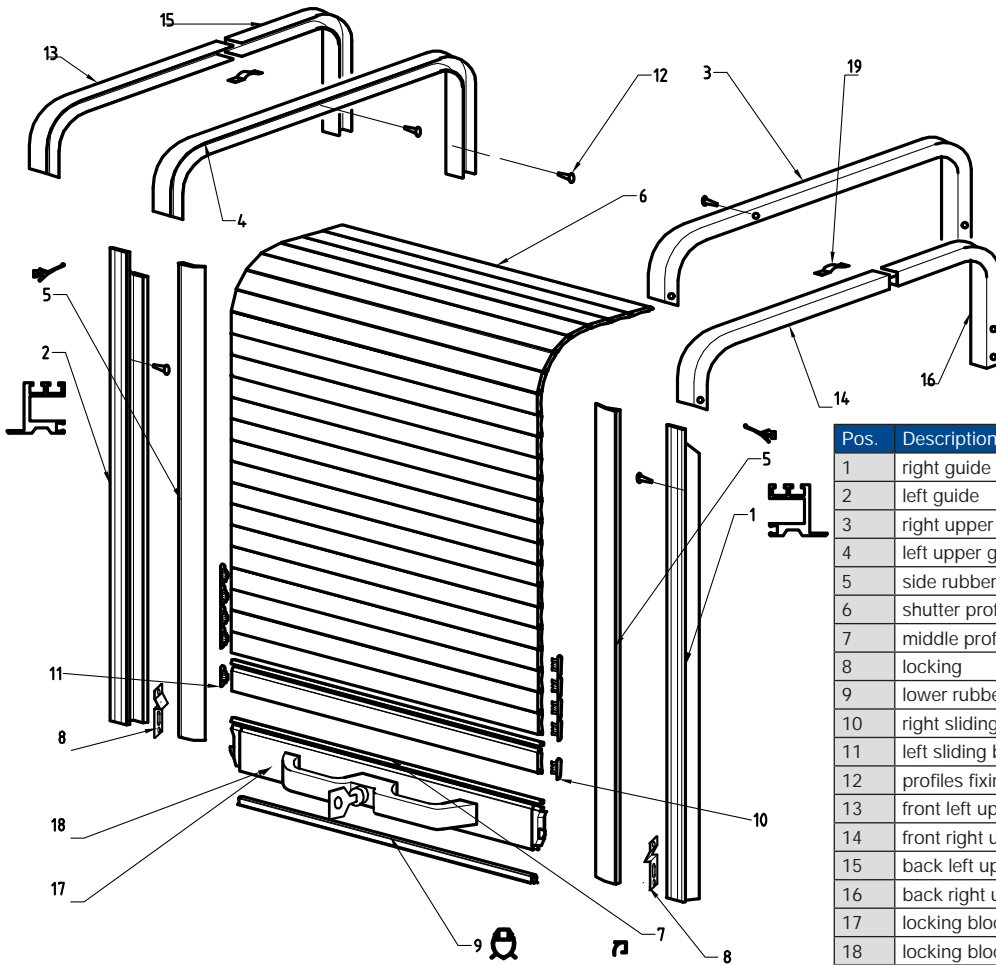


Pos.	Description	Code
1	right guide	70143.01
2	left guide	70143.02
3	right upper guide	70143.03
4	left upper guide	70143.04
5	side rubber profile	7026
6	shutter profile	7006
7	middle profile	7023
8	locking	7006
9	lower rubber profile	7007
10	right sliding block	7010
11	left sliding block	7025
12	profiles fixing screws	70134.11
13	front left upper internal profile	70143.14
14	front right upper internal profile	70143.15
15	back left upper internal profile	70134.16
16	back right upper internal profile	70134.17
17	barlock with key	70180.00
18	grip profile	70169.00
19	stop spring	70143.18
20	lower profile	70014.00

1. Place and block provisionally the vertical guides
2. Position the upper guides like shown in the sketch – cut and pierce – introduce the locking spring
3. Fix with screws tps 3,5x16
4. Remove the vertical guides
5. Lubricate the fixed upper guides
6. Insert the complete roller shutter into the upper guides
7. Insert the vertical guides into the lower part of the roller shutter, place again against the opening and the upper guides, pierce and fix with screws tps 3,5x16
8. Fix the lockings on the outer side of the guides at the bottom
9. Fix the lockings on the outer side of the guides at the top
10. Fix the guttering profile (if requested/supplied)
11. Lubricate the vertical fixed guides

1. Place and block provisionally the vertical guides
2. Position the upper guides like shown in the sketch – cut and pierce –
3. Fix with screws tps 3,5x16
4. Remove the vertical guides
5. Lubricate the fixed upper guides
6. Insert the complete roller shutter into the upper guides
7. Insert the vertical guides into the lower part of the roller shutter, place again against the opening and the upper guides, pierce and fix with screws tps 3,5x16
8. Fix the lockings on the outer side of the guides at the bottom
9. Fix the lockings on the outer side of the guides at the top
10. Fix the guttering profile (if requested/supplied)
11. Lubricate the vertical fixed guides

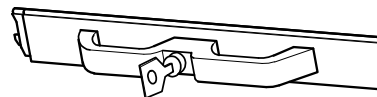
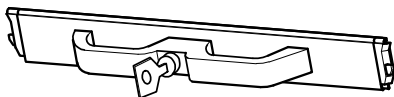


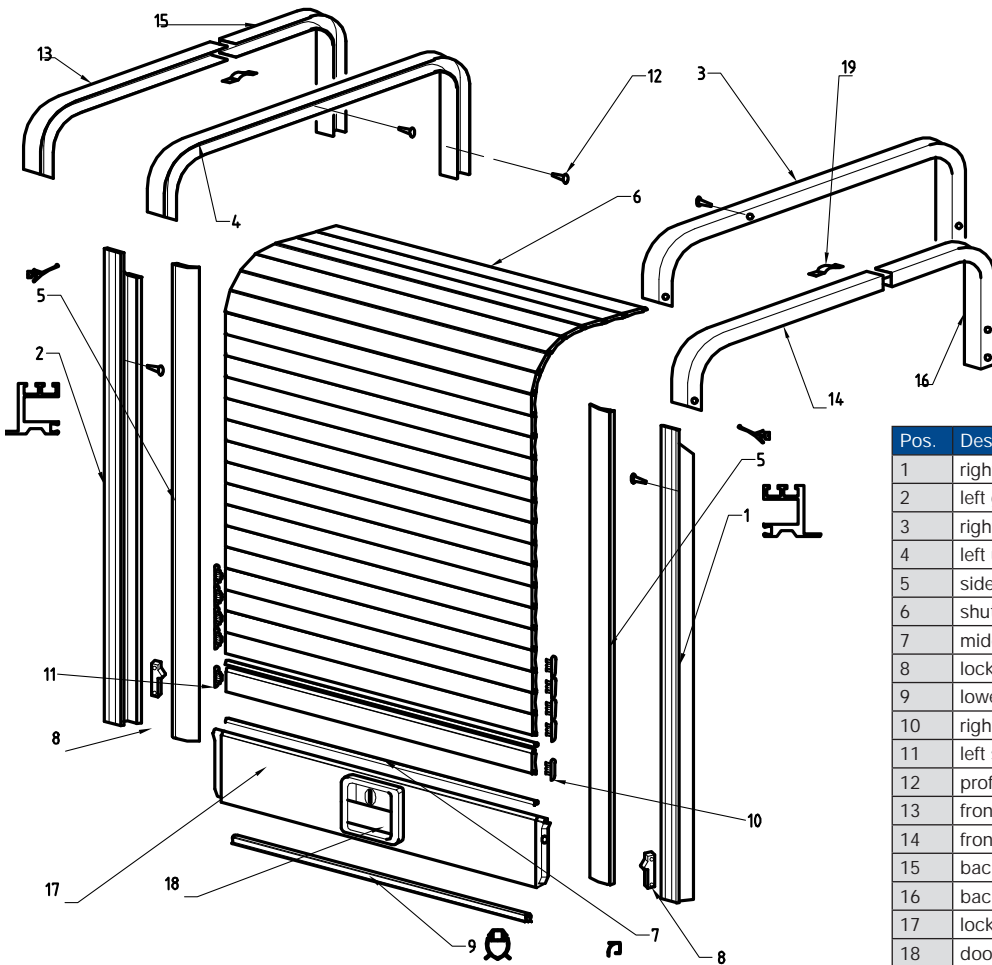


Pos.	Description	Code
1	right guide	70143.01
2	left guide	70143.02
3	right upper guide	70143.03
4	left upper guide	70143.04
5	side rubber profile	7026
6	shutter profile	7024
7	middle profile	7023
8	locking	7006
9	lower rubber profile	7007
10	right sliding block	7010
11	left sliding block	7025
12	profiles fixing screws	70134.11
13	front left upper profile	70134.14
14	front right upper profile	70134.15
15	back left upper profile	70134.16
16	back right upper profile	70134.17
17	locking block with key	7101
18	locking block without key	7102
19	stop spring	70148.18

- Place and block provisionally the vertical guides
- Position the upper guides like shown in the sketch - cut and pierce - introduce the locking spring
- Fix with screws tps 3,5x16
- Remove the vertical guides
- Lubricate the fixed upper guides
- Insert the complete roller shutter into the upper guides
- Insert the vertical guides into the lower part of the roller shutter, place again against the opening and the upper guides, pierce and fix with screws tps 3,5x16
- Fix the lockings on the inner side of the guides at about 6cm from the lower profile (use the slots for the centering)
- Fix the guttering profile (if requested/supplied)
- Lubricate the vertical fixed guides

- Place and block provisionally the vertical guides
- Position the upper guides like shown in the sketch -cut and pierce
- Fix with screws tps 3,5x16
- Remove the vertical guides
- Lubricate the fixed upper guides
- Insert the complete roller shutter into the upper guides
- Insert the vertical guides into the lower part of the roller shutter, place again against the opening and the upper guides, pierce and fix with screws tps 3,5x16
- Fix the lockings on the inner side of the guides at about 6cm from the lower profile (use the slots for the centering)
- Fix the guttering profile (if requested/supplied)
- Lubricate the vertical fixed guides

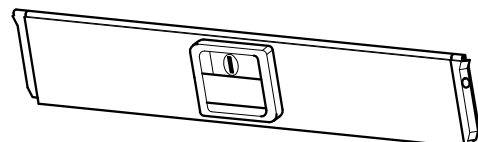
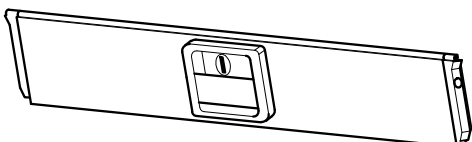




Pos.	Description	Code
1	right guide	70143.01
2	left guide	70143.02
3	right upper guide	70143.03
4	left upper guide	70143.04
5	side rubber profile	7026
6	shutter profile	7024
7	middle profile	7023
8	locking	7006
9	lower rubber profile	7007
10	right sliding block	7010
11	left sliding block	7025
12	profiles fixing screws	70134.11
13	front left upper profile	70134.14
14	front right upper profile	70134.15
15	back left upper profile	70134.16
16	back right upper profile	70134.17
17	locking block	70139.01
18	door lock	70380.34
19	stop spring	70143.18

1. Place and block provisionally the vertical guides
2. Position the upper guides like shown in the sketch – cut and pierce - introduce the locking spring
3. Fix with screws tps 3,5x16
4. Remove the vertical guides
5. Lubricate the fixed upper guides
6. Insert the complete roller shutter into the upper guides
7. Insert the vertical guides into the lower part of the roller shutter, place again against the opening and the upper guides, pierce and fix with screws tps 3,5x16
8. Regulate the height of the lockings along the guides for a correct closing of the lock (use bolts m4)
9. Fix the guttering profile (if requested/supplied)
10. Position the lockings in the upper part (use bolts m4)
11. Lubricate the vertical fixed guides

1. Place and block provisionally the vertical guides
2. Position the upper guides like shown in the sketch – cut and pierce
3. Fix with screws tps 3,5x16
4. Remove the vertical guides
5. Lubricate the fixed upper guides
6. Insert the complete roller shutter into the upper guides
7. Insert the vertical guides into the lower part of the roller shutter, place again against the opening and the upper guides, pierce and fix with screws tps 3,5x16
8. Regulate the height of the lockings along the guides for a correct closing of the lock (use bolts m4)
9. Fix the guttering profile (if requested/supplied)
10. Position the lockings in the upper part (use bolts m4)
11. Lubricate the vertical fixed guides



MEASURING

MEASUREMENTS	
H tot	Total height
H int	Internal height
L	Sliding room
C	Light height
WU	Light width
WS	Total width
D	Guide and gasket edge

